

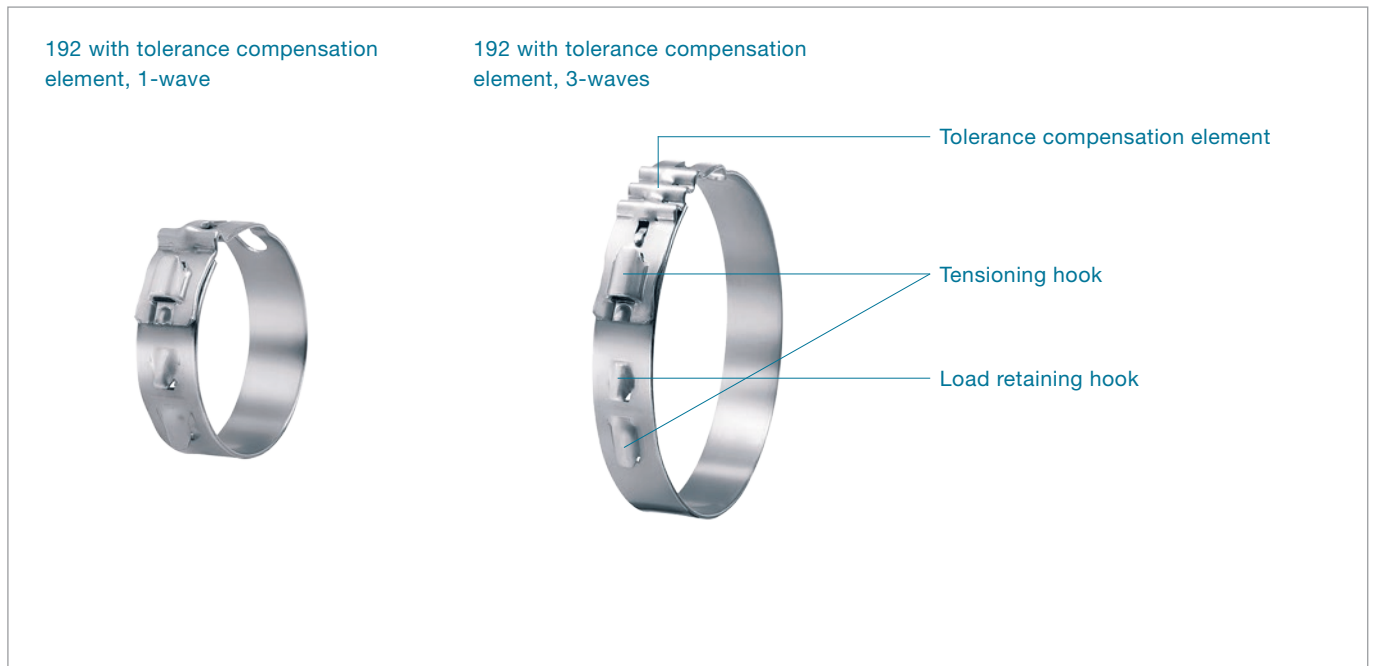
Technical Data Sheet

Stepless® Low Profile Clamp

192



Connecting Technology



Tolerance compensation elements: allow for variations in component tolerances and temperature variations

360° StepLess®: uniform 360° compression and constant surface pressure

Low assembled height: minimum space requirement, low imbalance on rotating parts

Novel tensioning hook design: fast and simple assembly, high radial force

Burr-free strip edges: reduced risk of damage to parts being clamped

StepLess® Low Profile Clamp 192

Material

192 Stainless Steel, Material no. 1.4301/UNS S30400

Corrosion resistance according to DIN EN ISO 9227

192 ≥ 1000 h

Series

Nominal diameter	width x thickness	tol. element
19.5 – 60.0 mm	10.0 x 0.8 mm	1-wave
40.0 – 120.5 mm	10.0 x 0.8 mm	3-waves

Available in 0.5 mm diameter graduations on request.

Specific diameters can only be supplied when an appropriate minimum quantity is ordered.

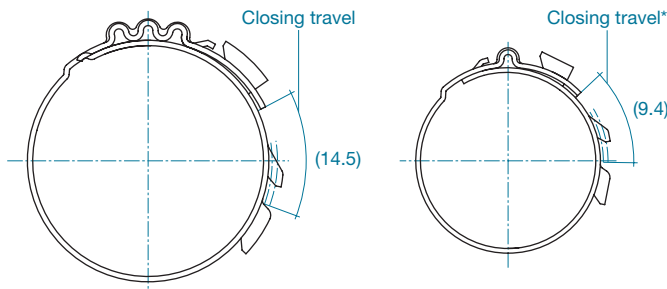
Oetiker StepLess® Low Profile Clamps 192 are produced with 1-wave and 3-wave tolerance compensation elements. The dimensions of the material used within the standard range are determined taking into account the required radial force, the nature of the application and the need to maintain sealing and/or retaining properties under the specified conditions and environmental exposure. When selecting the clamp diameter, the dimensions of the mating components on which the clamp is to be assembled must be accurately established to enable effective clamping performance. The durometer hardness of the soft material and desired compression are significant factors when calculating the appropriate clamp diameter.

Tensioning hooks

The tensioning hooks are the features used to close the StepLess® Low Profile Clamp 192. An Oetiker closing tool engages in both tensioning features, and tool movement reduces the clamp diameter until the internal cavity of the tensioning hook on the overlapping band fully engages in the load-retaining hook.

The diameter reduction of the clamp is substantially proportional to the closing travel, but subject to slight variations, depending on the degree to which tolerance compensation is required and the required radial force. The theoretical maximum reduction in diameter is given by the formula:

$$\text{Max. diameter reduction} = \frac{\text{closing travel}}{\pi}$$



* Optionally available with enlarged as-supplied diameter (greater closing travel)

Tolerance compensation

The tolerance compensation waves are activated when the compressed diameter of the application is greater than the nominal diameter of the clamp. When the resistance against the clamp exceeds the strength of the formed convolutes, elongation occurs to enable successful engagement of the tensioning and retaining hooks.

The flexible effect of the convolutes has the potential to accommodate diameter changes due to the effects of temperature changes and vibration.

As a rule, the nominal diameter of an Oetiker StepLess® Low Profile Clamp 192 should be selected to enable the optimum hose or seal compression at the minimum assembly diameter. In the event of a maximum assembly installation, the convolutes must be capable of elongating to absorb the diameter increase while maintaining the ability to achieve the interlock engagement, taking into account the maximum permitted pincer force and the amount of elongation the convolutes can withstand.

The capability of the tolerance-compensation element, the properties and dimensional tolerance of the materials being joined all directly affect the overall functionality of the connection.

Assembly Recommendations

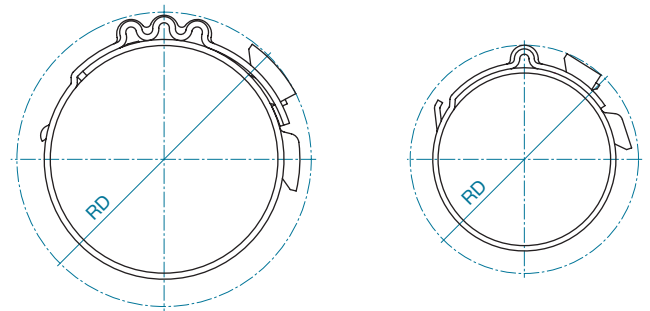
These clamps can be assembled using manual pincers especially developed for this clamp design or, alternatively, pneumatic pincers for high volume installation. To close a clamp, the pincer jaws must be engaged within both tensioning hooks. By operating the pneumatic tool or closing the manual pincer, the simultaneous movement of the two tensioning hooks reduces the diameter of the StepLess® Low Profile Clamp 192 until the effective closed diameter is achieved. The geometry of the StepLess® Low Profile Clamp 192 is such that, on reaching this position, the internal contour of the tensioning hook on the overlapping end of the clamp engages automatically in the load retaining hook.

The surface pressure generated depends on the selection criteria, especially the diameter and materials of the parts being clamped. Sealing performance is derived mainly from the restoring force of the compressed elastic material combined with tension from the tolerance-compensation elements.

Complete process monitoring, including 100% documentation is available using the Electronically controlled pneumatic pincer ELK.

Rotation diameter

The rotation diameter (RD) of an assembled clamp can be critical design information for applications that rotate in close proximity to adjacent components.



Accurate Information regarding rotation diameter can be provided on request.

Note on ordering

In contrast to ear clamps, StepLess® Low Profile Clamps are identified with the nominal closed diameter, e.g. 195 for a closed and assembled diameter of 19.5 mm.

Material dimensions	Manual pincer*	Recommended pneumatic pincer**
10.0 x 0.8 mm	14100134	HO 5000 EL / HO 7000 EL

* 14100134 Manual pincer for StepLess® Low Profile Clamps 192.

** With appropriate pincer head and closing force setting.

Please provide us with appropriate sample parts and comprehensive information about the application.

Order information

Item No.	Ø upon delivery (mm)	Ø nominal, closed (mm)*	Item No.	Ø upon delivery (mm)	Ø nominal, closed (mm)*	Item No.	Ø upon delivery (mm)	Ø nominal, closed (mm)*
Tolerance compensation element 1-wave Band width 10 mm, thickness 0.8 mm			Tolerance compensation element 1-wave Band width 10 mm, thickness 0.8 mm			Tolerance compensation element 3-waves Band width 10 mm, thickness 0.8 mm		
19200686	22.5	19.5	19200400	47	44	19200454	44.5	40
19200684	23	20	19200401	47.5	44.5	19200455	45	40.5
19200685	23.5	20.5	19200402	48	45	19200350	45.5	41
19200688	24	21	19200403	48.5	45.5	19200352	46	41.5
19200733	24.5	21.5	19200404	49	46	19200456	46.5	42
19200734	25	22	19200405	49.5	46.5	19200457	47	42.5
19200244	25.5	22.5	19200406	50	47	19200458	47.5	43
19200245	26	23	19200407	50.5	47.5	19200459	48	43.5
19200255	26.5	23.5	19200408	51	48	19200460	48.5	44
19200263	27	24	19200409	51.5	48.5	19200461	49	44.5
19200368	27.5	24.5	19200410	52	49	19200462	49.5	45
19200369	28	25	19200411	52.5	49.5	19200463	50	45.5
19200370	28.5	25.5	19200412	53	50	19200464	50.5	46
19200371	29	26	19200413	53.5	50.5	19200465	51	46.5
19200372	29.5	26.5	19200414	54	51	19200466	51.5	47
19200253	30	27	19200415	54.5	51.5	19200467	52	47.5
19200322	30.5	27.5	19200416	55	52	19200468	52.5	48
19200373	31	28	19200417	55.5	52.5	19200469	53	48.5
19200374	31.5	28.5	19200418	56	53	19200470	53.5	49
19200268	32	29	19200419	56.5	53.5	19200471	54	49.5
19200375	32.5	29.5	19200420	57	54	19200472	54.5	50
19200376	33	30	19200421	57.5	54.5	19200473	55	50.5
19200377	33.5	30.5	19200422	58	55	19200474	55.5	51
19200378	34	31	19200423	58.5	55.5	19200339	56	51.5
19200379	34.5	31.5	19200424	59	56	19200340	56.5	52
19200380	35	32	19200425	59.5	56.5	19200475	57	52.5
19200381	35.5	32.5	19200426	60	57	19200476	57.5	53
19200333	36	33	19200427	60.5	57.5	19200477	58	53.5
19200335	36.5	33.5	19200428	61	58	19200478	58.5	54
19200382	37	34	19200429	61.5	58.5	19200479	59	54.5
19200383	37.5	34.5	19200430	62	59	19200480	59.5	55
19200332	38	35	19200431	62.5	59.5	19200481	60	55.5
19200384	38.5	35.5	19200432	63	60	19200482	60.5	56
19200385	39	36				19200483	61	56.5
19200386	39.5	36.5				19200484	61.5	57
19200358	40	37				19200485	62	57.5
19200387	40.5	37.5				19200486	62.5	58
19200388	41	38				19200487	63	58.5
19200389	41.5	38.5				19200488	63.5	59
19200390	42	39				19200489	64	59.5
19200391	42.5	39.5				19200490	64.5	60
19200392	43	40				19200491	65	60.5
19200393	43.5	40.5				19200492	65.5	61
19200394	44	41				19200493	66	61.5
19200395	44.5	41.5				19200494	66.5	62
19200396	45	42				19200495	67	62.5
19200397	45.5	42.5				19200496	67.5	63
19200398	46	43				19200341	68	63.5
19200399	46.5	43.5				19200342	68.5	64

Order information

Item No.	Ø upon delivery (mm)	Ø nominal, closed (mm)*	Item No.	Ø upon delivery (mm)	Ø nominal, closed (mm)*	Item No.	Ø upon delivery (mm)	Ø nominal, closed (mm)*
Tolerance compensation element 3-waves Band width 10 mm, thickness 0.8 mm			Tolerance compensation element 3-waves Band width 10 mm, thickness 0.8 mm			Tolerance compensation element 3-waves Band width 10 mm, thickness 0.8 mm		
19200497	69	64.5	19200546	93.5	89	19200592	118	113.5
19200498	69.5	65	19200547	94	89.5	19200593	118.5	114
19200499	70	65.5	19200548	94.5	90	19200594	119	114.5
19200500	70.5	66	19200362	95	90.5	19200595	119.5	115
19200501	71	66.5	19200549	95.5	91	19200596	120	115.5
19200502	71.5	67	19200550	96	91.5	19200597	120.5	116
19200503	72	67.5	19200551	96.5	92	19200598	121	116.5
19200504	72.5	68	19200552	97	92.5	19200599	121.5	117
19200505	73	68.5	19200553	97.5	93	19200600	122	117.5
19200506	73.5	69	19200554	98	93.5	19200601	122.5	118
19200507	74	69.5	19200555	98.5	94	19200602	123	118.5
19200508	74.5	70	19200556	99	94.5	19200603	123.5	119
19200509	75	70.5	19200557	99.5	95	19200604	124	119.5
19200510	75.5	71	19200558	100	95.5	19200605	124.5	120
19200511	76	71.5	19200559	100.5	96	19200606	125	120.5
19200512	76.5	72	19200560	101	96.5			
19200513	77	72.5	19200561	101.5	97			
19200514	77.5	73	19200562	102	97.5			
19200515	78	73.5	19200563	102.5	98			
19200516	78.5	74	19200564	103	98.5			
19200517	79	74.5	19200565	103.5	99			
19200518	79.5	75	19200566	104	99.5			
19200519	80	75.5	19200567	104.5	100			
19200520	80.5	76	19200568	105	100.5			
19200521	81	76.5	19200569	105.5	101			
19200522	81.5	77	19200570	106	101.5			
19200523	82	77.5	19200571	106.5	102			
19200524	82.5	78	19200572	107	102.5			
19200525	83	78.5	19200573	107.5	103			
19200526	83.5	79	19200343	108	103.5			
19200527	84	79.5	19200348	108.5	104			
19200528	84.5	80	19200574	109	104.5			
19200529	85	80.5	19200575	109.5	105			
19200530	85.5	81	19200576	110	105.5			
19200531	86	81.5	19200577	110.5	106			
19200532	86.5	82	19200578	111	106.5			
19200533	87	82.5	19200579	111.5	107			
19200534	87.5	83	19200580	112	107.5			
19200535	88	83.5	19200581	112.5	108			
19200536	88.5	84	19200582	113	108.5			
19200537	89	84.5	19200583	113.5	109			
19200538	89.5	85	19200584	114	109.5			
19200539	90	85.5	19200585	114.5	110			
19200540	90.5	86	19200586	115	110.5			
19200541	91	86.5	19200587	115.5	111			
19200542	91.5	87	19200588	116	111.5			
19200543	92	87.5	19200589	116.5	112			
19200544	92.5	88	19200590	117	112.5			
19200545	93	88.5	19200591	117.5	113			

* Without affecting the tolerance-compensation element (free state).

The Oetiker Group: www.oetiker.com

Headquarters Switzerland

Oetiker Schweiz AG
Spätzstrasse 11
Postfach 358
CH-8810 Horgen (Zürich)
T +41 44 728 55 55
F +41 44 728 55 15
info@ch.oetiker.com

Austria

Hans Oetiker
Maschinen- und Apparatebau
Ges.m.b.H.
Eduard-Klinger-Strasse 19
A-3423 St. Andrä-Wördern
T +43 2242 33 994-0
F +43 2242 33 997
info@at.oetiker.com

Brazil

Oetiker do Brazil Imp. e Com. Ltda.
Av. Hugo Fumagali, nr. 586 - Sala B
07220-080 Cid. Industrial Satelite
Guarulhos (SP)
T +55 11 2303 7486
info@br.oetiker.com

Canada

Oetiker Limited
203 Dufferin Street South
P. O. Box 5500
Alliston, Ontario L9R 1W7
T +1 705 435 4394
info@ca.oetiker.com

P. R. China

Oetiker Industries (Tianjin) Ltd.
No. 9, Tongda Road, Beichen District,
Tianjin 300405
T +86 22 2697 1183
F +86 22 2697 1380
info@cn.oetiker.com

Czech Republic

Hans Oetiker spol. s r. o.
Videňská 116
CZ-37833 Nová Bystrice
T +420 384 386513
F +420 384 386386
info@cz.oetiker.com

France

Oetiker Sarl
Parc d'activités du Bel Air
1, rue Charles Cordier
F-77164 Ferrières-en-Brie
T +33 1 79 74 10 90
F +33 1 79 74 10 91
info@fr.oetiker.com

Germany

Oetiker Deutschland GmbH
Üsenbergerstrasse 13
D-79346 Emdingen a. K.
T +49 76 42 6 84-0
F +49 76 42 6 84-125
info@de.oetiker.com

Kurt Allert GmbH & Co. KG

Postfach 1160
Austrasse 36
D-78727 Oberndorf a. N.
T +49 74 23 87 70-0
F +49 74 23 87 70-87
info@allert.oetiker.com

Hong Kong

Oetiker Far East Limited
701 Kwong Kin Trade Centre
5 Kin Fat Street,
Tuen Mun, N.T.
T +852 2459 8211
F +852 2459 8322
info@hk.oetiker.com

Hungary

Oetiker Hungaria KFT
Vasvári P. U. 11
H-9800 Vasvár
T +36 94 370 630
F +36 94 370 533
info@hu.oetiker.com

India

Oetiker India Private Ltd.
N-14, Additional Patalganga
Industrial Area
Village Chavane, Khalapur
Rasayani 410207
Dist. Raigad, Maharashtra
T +91 77200 15621-64
F +91 2192 250105
info@in.oetiker.com

Japan

Oetiker Japan Co. Ltd.
Kaneko Bldg. A
5-3-5 Nakamachi-dai, Tsuzuki-ku
Yokohama 224-0041, Kanagawa
T +81 45 949 3151
F +81 45 949 3152
info@jp.oetiker.com

Mexico

Oetiker Servicios S de RL de CV
Ave. José María Pino Suárez 853 Nte.
Col. Centro, CP 64000
Monterrey, Nuevo León
T +52 81 8390 0237
info@mx.oetiker.com

Netherlands

Oetiker Benelux B. V.
Hertzstraat 38
NL-6716 BT Ede
T +31 318 63 71 71
F +31 318 63 34 89
info@nl.oetiker.com

Spain

Oetiker España, S. A.
Pol. Ind. Las Salinas
C/Puente, 18
E-11500 El Puerto de Santa María (Cádiz)
T +34 956 86 04 40
F +34 956 87 17 07
info@es.oetiker.com

South Korea

Oetiker Far East Limited
Korea Liaison Office
Postal Zip Code 135-880
1401 LG Twintel 1-Cha 157-8
Samseong 1-dong
Gangnam-gu, Seoul
T +82 2 2191 6100
F +82 2 2191 6109
info@kr.oetiker.com

United Kingdom

Oetiker UK Limited
Foundry Close
GB-Horsham, Sussex RH13 5TX
T +44 1403 26 04 78
F +44 1403 24 06 90
info@uk.oetiker.com

USA

Oetiker, Inc.
6317 Euclid Street
Marlette, Michigan 48453-0217
T +1 989 635 3621
F +1 989 635 2157
info@us.oetiker.com

www.oetiker.com

