

Hand Clamp Cutter (HCC)

HCC 2000 | 407



Connecting Technology

Recommended for the REMOVAL of Genuine Oetiker Ear Clamps

Benefits

- Quick and easy ear clamp cutting
- Safest method of clamp removal
- Requires minimal hand force
- Minimizes damage to application



Compound Action Hand Clamp Cutter
HCC 2000 | 407
Item No. 14100407

Compound action cutting tools: maximum mechanical advantage for easier and safer use

Specially designed: for removing Oetiker Ear Clamps only



TECHNICAL DATA OVERVIEW

Hand Clamp Cutter for Oetiker Ear Clamps

| | |
|---------------------|----------------|
| Model No. | HCC 2000 407 |
| Item No. | 14100407 |
| Dimensions: | |
| Length | 225.0 mm |
| Width | 53.0 mm |
| Height | 23.0 mm |
| Weight | 430.0 g |
| Jaw width | 13.0 mm |
| Opening gap | 17.4 mm |
| Max. ear width | 13.0 mm |
| Reference jaw force | 2000 N |

DESCRIPTION

Oetiker Hand Clamp Cutters are designed to safely remove Oetiker Ear Clamps clamps that can be closed with Oetiker HIP 2000 Series Hand Installation Pincers or similar power tools. See Applicable Clamps section below for more details.

They are designed to deliver many cutting cycles without loss of performance, using the lowest practical cutting force. Constructed of solid metal for long tool life, with textured grips for a more secure hold.

FOR CLAMP REMOVAL ONLY. Orange grips distinguish Hand Clamp Cutters from Hand Installation Pincers. High mechanical advantage makes clamp removal easier and reduces the risk of strain injury.

Patent pending

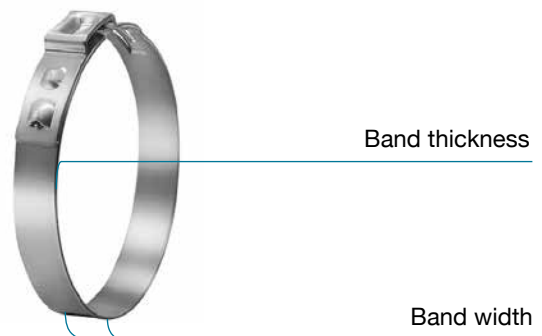
APPLICABLE CLAMPS

The Hand Clamp Cutter HCC 2000 | 407 will cut the below **EAR CLAMPS** up to the band width and thicknesses listed.

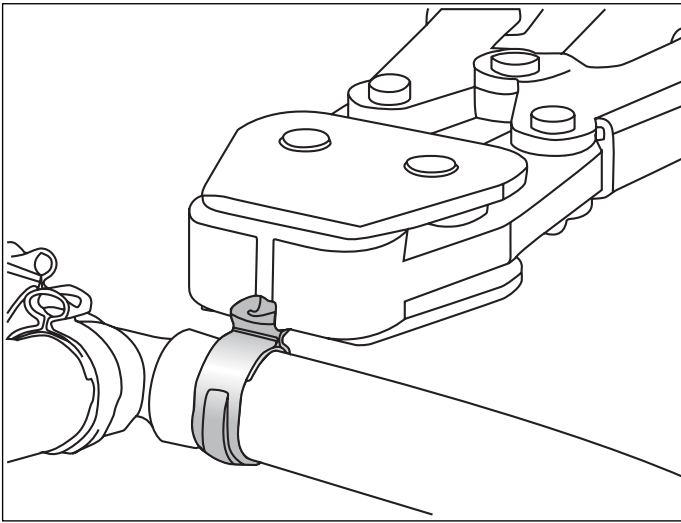
Stainless Steel Band: cut clamps up to 7.0 mm wide x 0.8 mm band thickness

Stainless Steel Band: cut clamps up to 9.0 mm wide x 0.6 mm band thickness

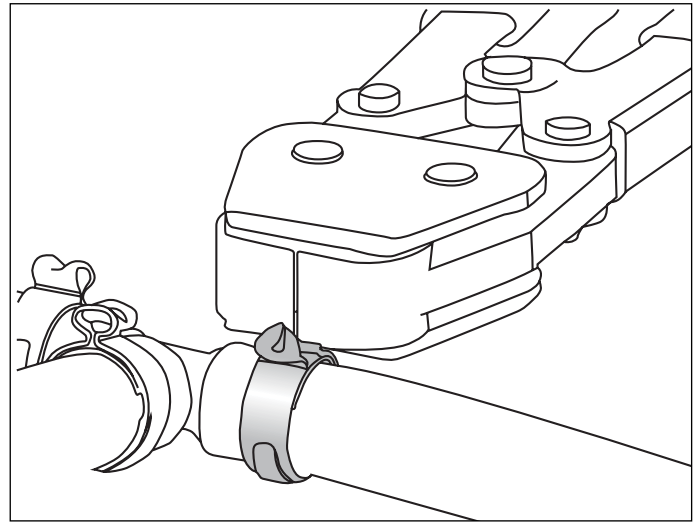
Steel Band: cut clamps up to 9.0 mm wide x 0.8 mm band thickness



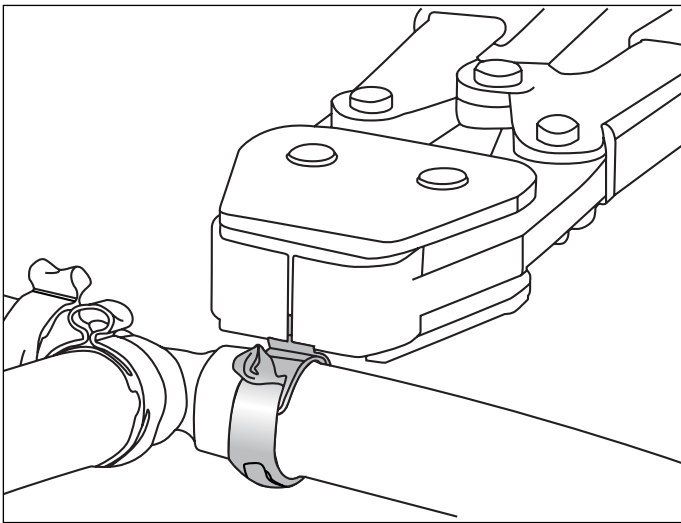
INSTRUCTION GUIDE



1. Place jaw tips on each side of clamp ear or single leg



2. Squeeze handles



3. Cut through and remove clamp

Caution must be observed with Hand Clamp Cutters. They can generate extreme forces. It is recommended that protective eye wear be worn when cutting clamps.

FOR CLAMP REMOVAL ONLY