

Cordless Clamp Pincer

Oetiker CP 10, -20



Recommended for the installation of Genuine Oetiker Ear Clamps

Advantages

- Efficient
- Accurate
- Convenient
- Process reliable



Efficient: quick, repeatable installation with exceptional accuracy

Convenient: cordless installation tool for ear clamps

Ergonomic and light: for easy, user-friendly handling

Process reliable: Monitoring and data collection of process parameters

Safeguarded settings: simple, tamper-proof closing force settings

LED display: indicates closing force quality, battery charge and service status

Extended maintenance intervals: to suit volume production applications

SCOPE OF SUPPLY



Cordless Clamp Pincer Oetiker CP 10, -20

TECHNICAL DATA*

CP 10:

Closing force range: 800 N–4500 N**

External dimensions: 395 × 81 × 124 mm

Weight: 2500 g***

Closing time: 2 seconds

CP 20:

Closing force range: 3500 N–10000 N**

External dimensions: 425 × 81 × 124 mm

Weight: 3100 g***

Closing time: 3–4 seconds

Oetiker CP 10, -20 scope of supply

Cordless Clamp Pincers with 2 batteries (pincer head included depending on system chosen)

PC software (for adjusting closing force, tool testing and retrieval of historical data)

Technical manual (multilingual)

Country-specific charger

Carrying case

Accessories and Spare Parts for CP 10, -20

Li-Ion battery	18V 2.0Ah	Item no.: 14002340
Li-Ion battery	18V 3.0Ah	Item no.: 14002343
Li-Ion battery	18V 4.0Ah	Item no.: 14002346
Battery charger CLi 18V	OEM-EU-230V/50Hz	Item no.: 14002339
Battery charger CLi 18V	OEM-US-120V/60Hz	Item no.: 14002342
Battery charger CLi 18V	OEM- AUS/NZ-230V	Item no.: 14002345
Plug Adapter	UK-CH T23	Item no.: 06001709
AC adapter	230V/50Hz-18V EU	Item no.: 14002341
AC adapter	120V/60Hz-18V US	Item no.: 14002344
AC adapter	230V/50Hz-18V AUS/NZL	Item no.: 14002347

* Approximate information

** Adjustable closing force range, depending upon pincer head used. Closing force can be determined by:

– CAL 01
– SKM 01 and SKM 02

*** incl. 1 × 2 Ah battery and standard pincer head

DESCRIPTION

Cordless CP 10 and CP 20 pincers are ideal alternatives to pneumatic tools where installation flexibility is of paramount importance. The tools guarantee a quick and effortless installation of Oetiker ear clamp models with high accuracy and excellent maneuverability in tight spaces.

The PC software included in the scope of supply enables easy, precise and tamper-proof adjustment of the closing force as well as the documentation and analysis of historical process data saved in the tool.

As an alternative to cordless battery operation, the CP pincers can also be used with an corded AC adapter.

The automatic ram retraction ensures the tool jaws return to their initial position after reaching the pre-set closing force. Furthermore, the tool has an emergency stop function which immediately stops jaw closure upon release of the trigger switch.

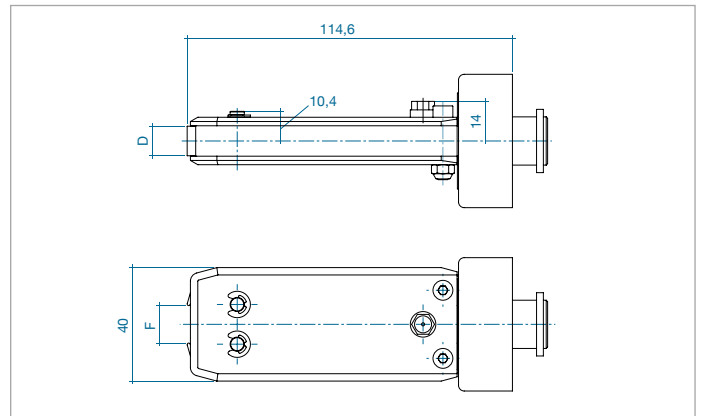
The 360° rotatable pincer head allows excellent maneuverability.

To guarantee precise and accurate closure, a pincer test must be carried out at least once per shift or once per day at minimum. A pincer test is also necessary after any time a pincer component is exchanged.

SPECIAL PINCER HEADS FOR CP 10

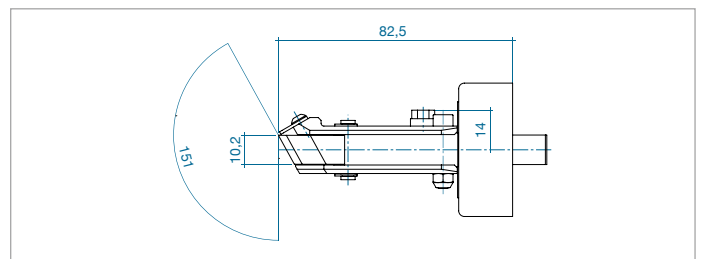
Pincer heads, long, narrow

Jaw width D:	10.2 mm	7.5 mm
Opening gap F:	13.2 mm	13.2 mm
For ear width*:	10 mm	10 mm
Item no.	13900800	13900822
Jaw replacement kit	13900163	13900168



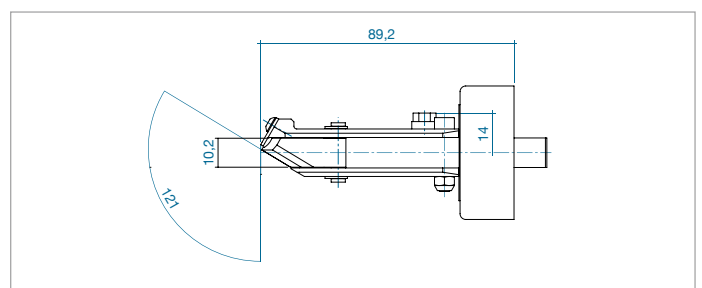
30° pincer heads

Jaw width:	10.2 mm
Opening gap:	13.2 mm
For ear width*:	10 mm
Item no.	13900724
Jaw replacement kit	13900708
Calibration set	13900722



60° pincer heads

Jaw width:	10.2 mm
Opening gap:	13.2 mm
For ear width*:	10 mm
Item no.	13900690
Jaw replacement kit	13900695
Calibration set	13900696



* measured on the inside

SELECTION OF COMPLETE PINCER SYSTEMS

A complete pincer system is made up of pincer head and pincer.

- 1) First, choose the pincer head according to requirement.
- 2) Then choose the pincer type in the corresponding columns below it. The item numbers for the pincer types include the complete scope of supply including the desired pincer head.

Pincer heads	CP 10	CP 10	CP 10	CP 20	CP 20	CP 20	
Jaw width	7.5 mm	10.2 mm	10.2 mm	10.5 mm	10.5 mm	14.5 mm	
Opening gap	13.2 mm	13.2 mm	16.2 mm	13.7 mm	16.6 mm	16.6 mm	
For ear width*	10 mm	10 mm	13 mm	10 mm	13 mm	13 mm	
Item no.	13900683	13900659	13900725	13900662	13900660	13900711	
Selection of pincer types							CP sets without pincer head **
CP 10 (AUS)	13900967	13900959	13900963	–	–	–	13901311
Jaw replacement kit	13900168	13900163	13900170				
CP 10 (EU)	13900965	13900957	13900961	–	–	–	13901309
Jaw replacement kit	13900168	13900163	13900170				
CP 10 (UK)	13900968	13900960	13900964	–	–	–	13901312
Jaw replacement kit	13900168	13900163	13900170				
CP 10 (US)	13900966	13900958	13900962	–	–	–	13901310
Jaw replacement kit	13900168	13900163	13900170				
CP 20 (AUS)	–	–	–	13900971	13900975	13900979	13901315
Jaw replacement kit				13900164	13900165	13900545	
CP 20 (EU)	–	–	–	13900969	13900973	13900977	13901313
Jaw replacement kit				13900164	13900165	13900545	
CP 20 (UK)	–	–	–	13900972	13900976	13900980	13901316
Jaw replacement kit				13900164	13900165	13900545	
CP 20 (US)	–	–	–	13900970	13900974	13900978	13901314
Jaw replacement kit				13900164	13900165	13900545	

* measured on the inside

** to suit regional power plug