

WingGuard® Strap Clamp 270

Extended clamping range.
Superior assembly.



Occupant
Safety



WingGuard®

For Occupant Safety Systems



Connecting Technology

WingGuard® Strap Clamp 270

Extended clamping range.

Superior assembly.

WingGuard® Strap Clamp with the innovative WingGuard® feature is highly space-efficient and provides high holding forces. The smooth design is ideal for sensitive materials like airbag fabrics.

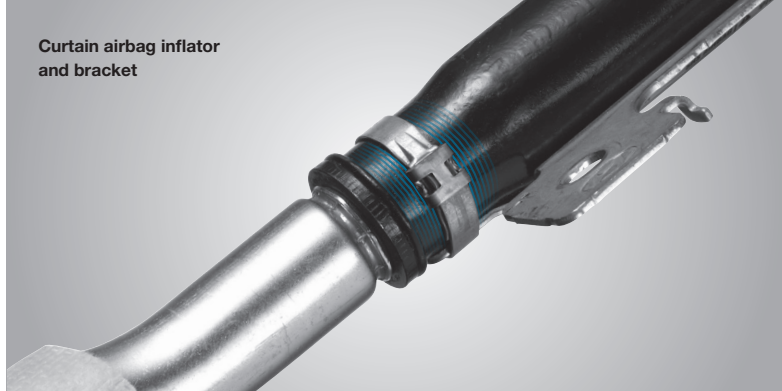
Strong features for reliable performance

The WingGuard® Strap Clamp was specially designed for occupant safety systems. The low profile design is ideal to fit compact spaces. Strong holding forces enable the clamp to withstand high stress and intense pressure surges.

For optimum protection to any sensitive materials and surroundings, the clamp features smooth band edges and a housing to fully enclose the wings and band end.

The strap provides an extended diameter range to fit various application diameters and irregular shapes.

Curtain airbag inflator and bracket

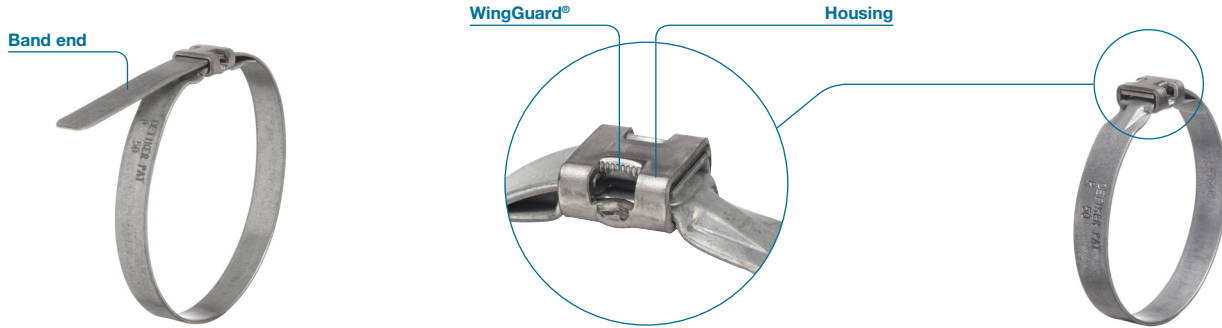


Superior assembly process

The installation process is quick and reliable with Oetiker's FAST 3000 Assembly Tool – an electromechanical assembly tool which includes process and data monitoring.

Benefits

- Extended clamping range
- Safe and easy assembly
- Expansion resistant
- Reliable components
- Space efficient design
- Smooth band edges
- Superior assembly system



WingGuard®: The unique locking mechanism ensures high holding forces.

Housing: Secures the assembled clamp and eliminates exposed sharp edges.

Band end: Allows for an extended diameter range to fit various application diameters and irregular shapes.

Technical data overview

Material

Band: High strength steel,
HX 380 LAD + ZA 255

Housing: Stainless steel,
1.4301/UNS S30400

**Corrosion resistance
according to ISO 9227**

≥ 144 h

Size range

20 – 50 mm

Width x thickness

7.0 x 0.8 mm

Maximum closing force

1850 N

FAST 3000 Assembly Tool

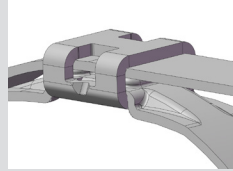


Safe, easy and reliable assembly with Oetiker installation tools.

Benefits

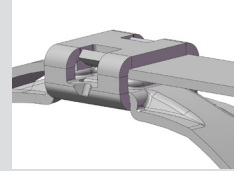
- Process monitored installation
- Regional support
- Clear user interface
- Easy programming
- Direct force control
- Assembly line integration

Assembly



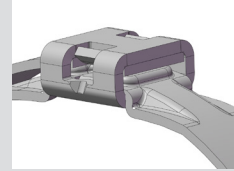
Supplied condition

Band goes through housing (pre-formed).



Closing

Band is tensioned to the pre-defined closing force. Wings are cut and formed up – clamp is locked.



Cutting

Excess band is cut flush at housing. The residual band is ejected.

Global footprint with local fingerprints. Over 1400 employees, 10 production facilities and 20 sales offices around the world – all dedicated to providing successful connections for customers. Everywhere.

www.oetiker.com



Scan the QR code
to watch the product
video

